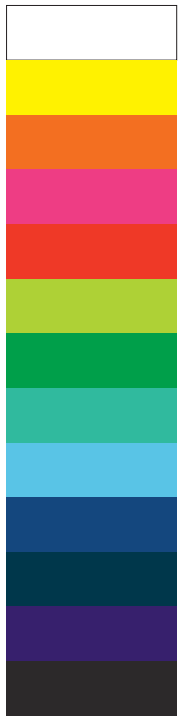
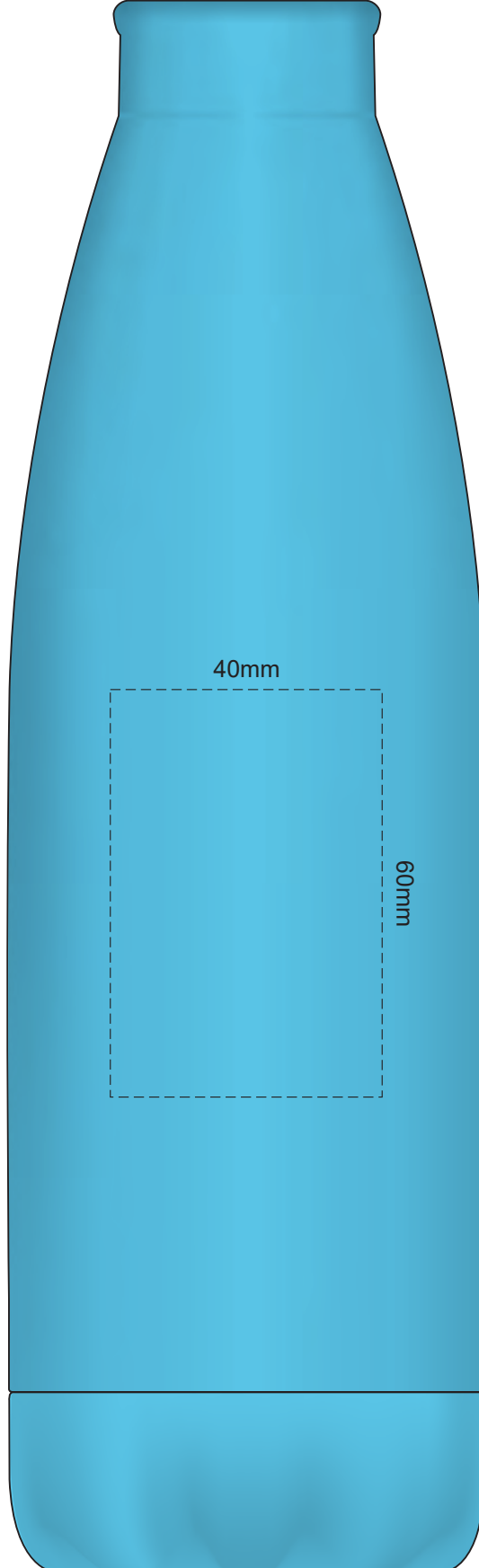


STAINLESS STEEL LID



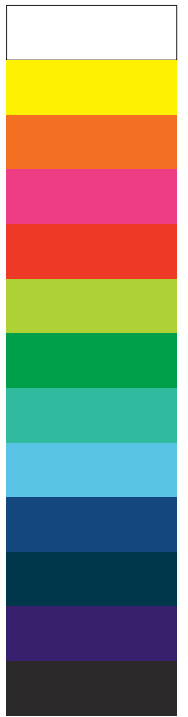
100% of Actual Size
Pad Print



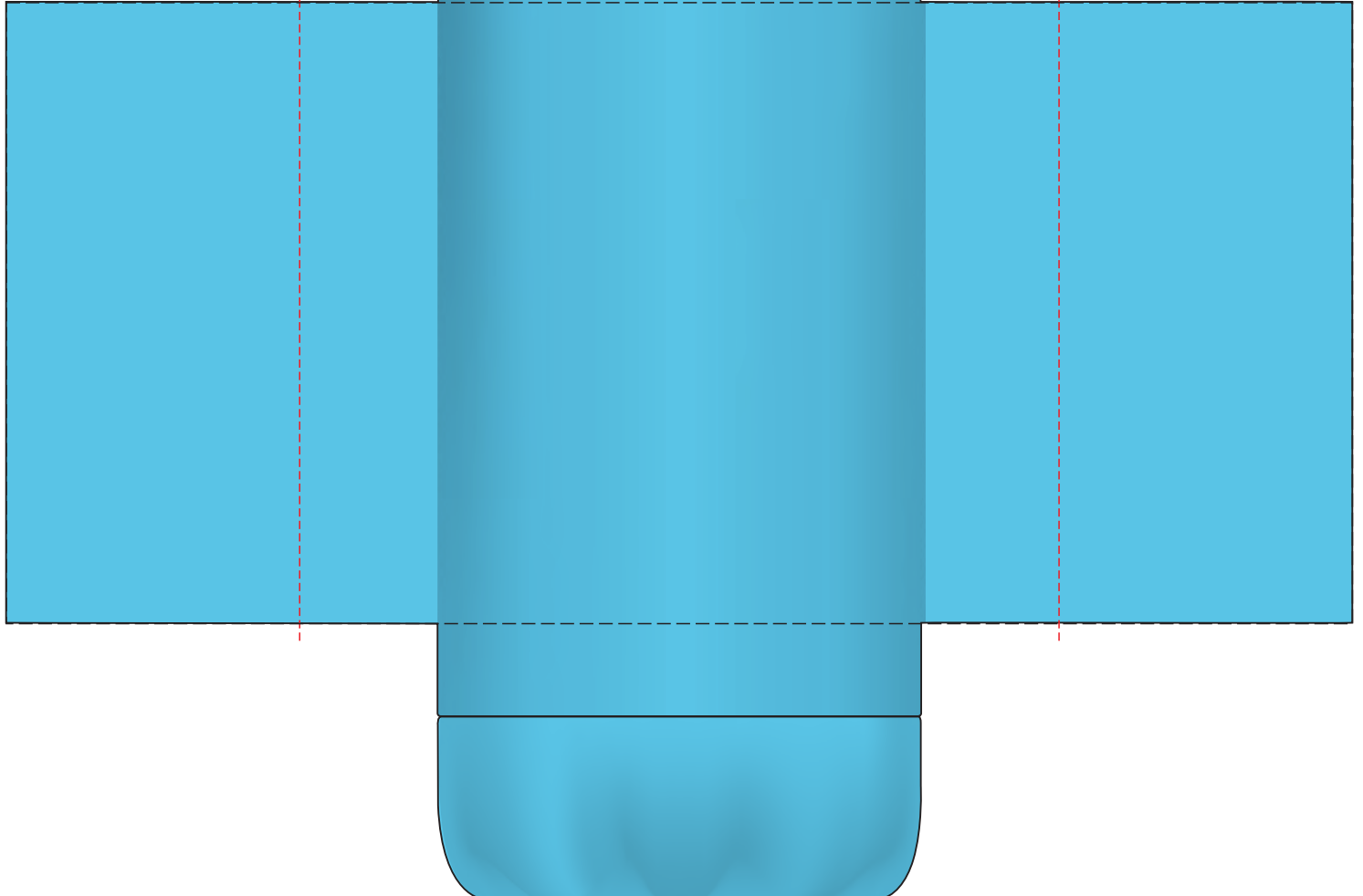
STAINLESS STEEL LID



100% of Actual Size
Screen Print



195mm



approximately 25mm unprintable area

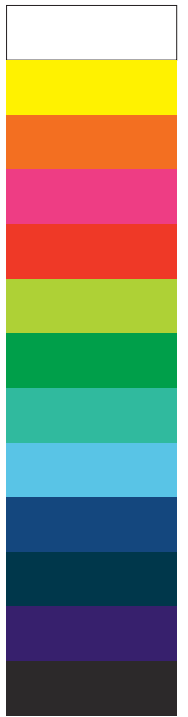
90mm

Red Line = Exact opposites of the product
(centre artwork to the red line)

STAINLESS STEEL LID



100% of Actual Size
Laser Engraving



60mm

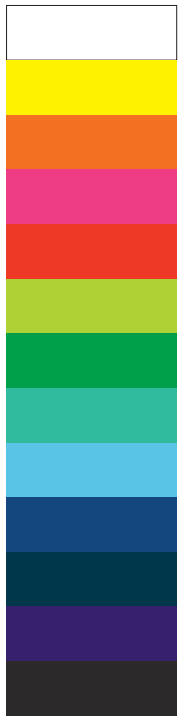
90mm



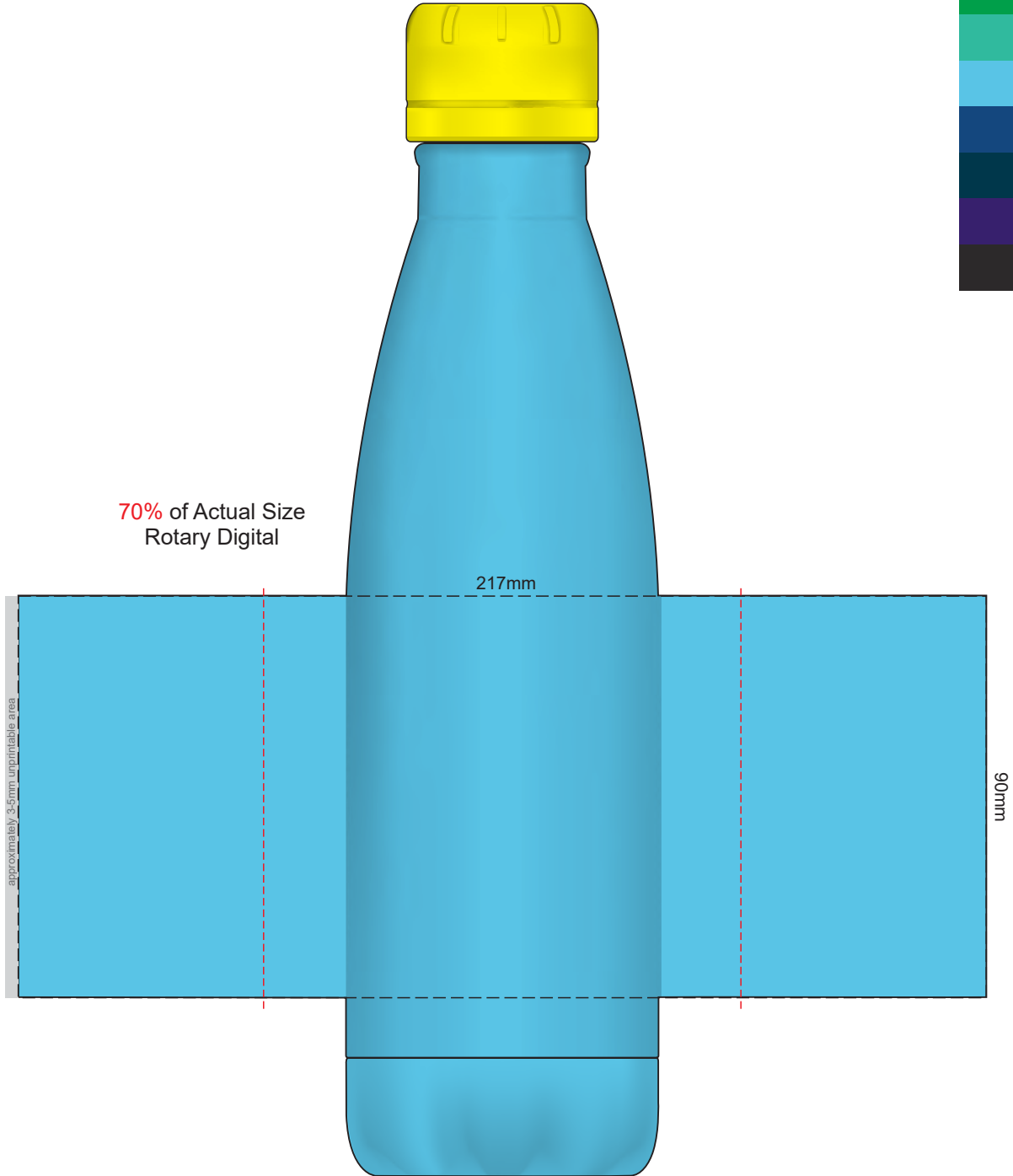
Engraves to a
Shiny Steel Finish



STAINLESS STEEL LID



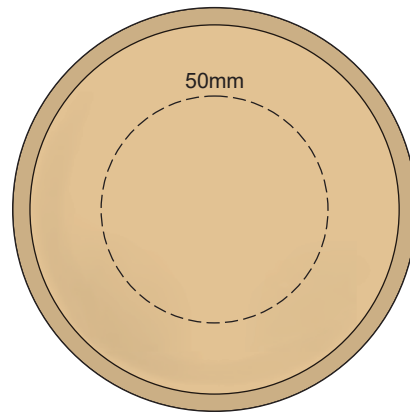
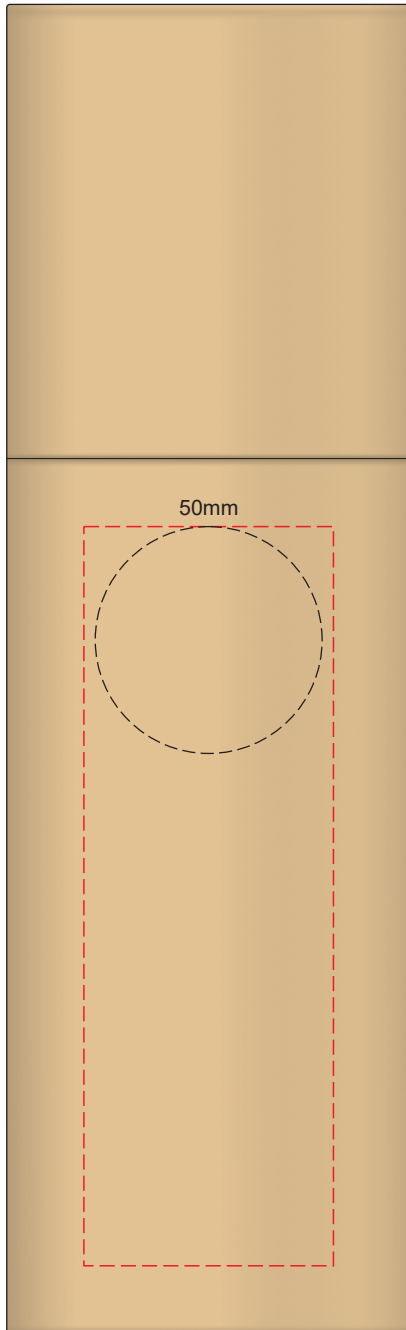
70% of Actual Size
Rotary Digital



Red Line = Exact opposites of the product
(centre artwork to the red line)



60% of Actual Size
Pad Print (one colour)



Branding area can be moved anywhere within the red line.