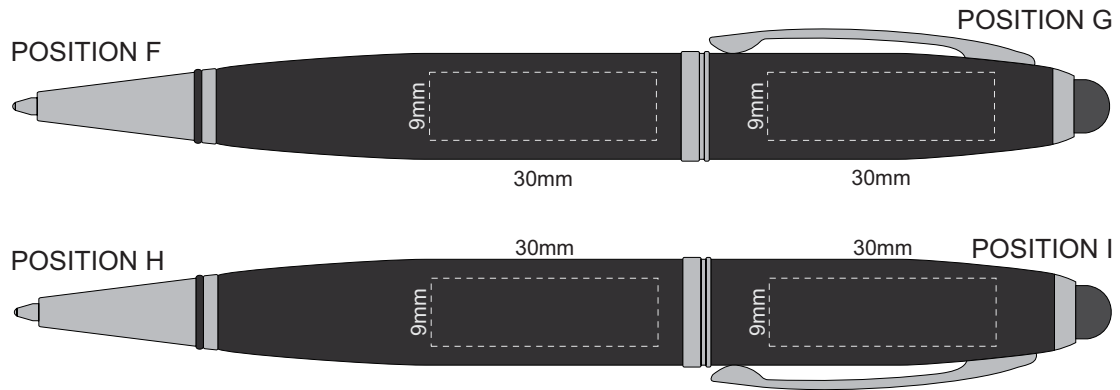
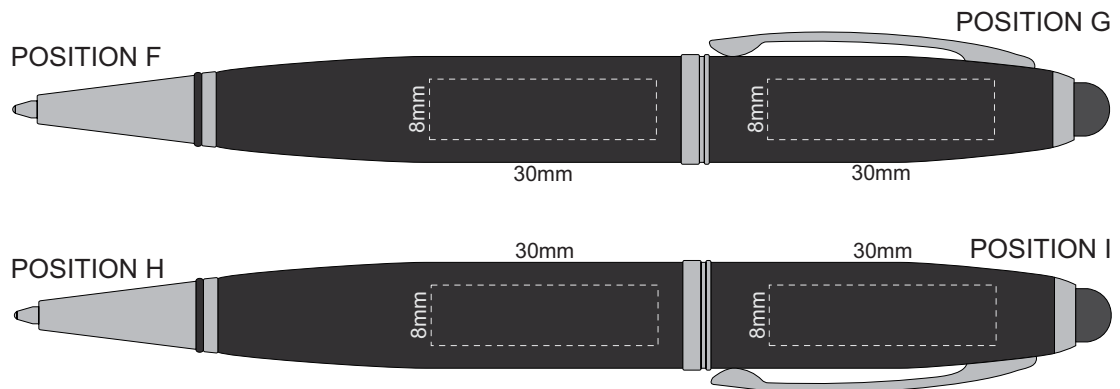





100% of Actual Size  
Pad Print



100% of Actual Size  
Laser Engraving



Position F & H  Engraves to Brass Finish

Position G & I  Engraves to Silver Mirror Finish